

**CROWN**

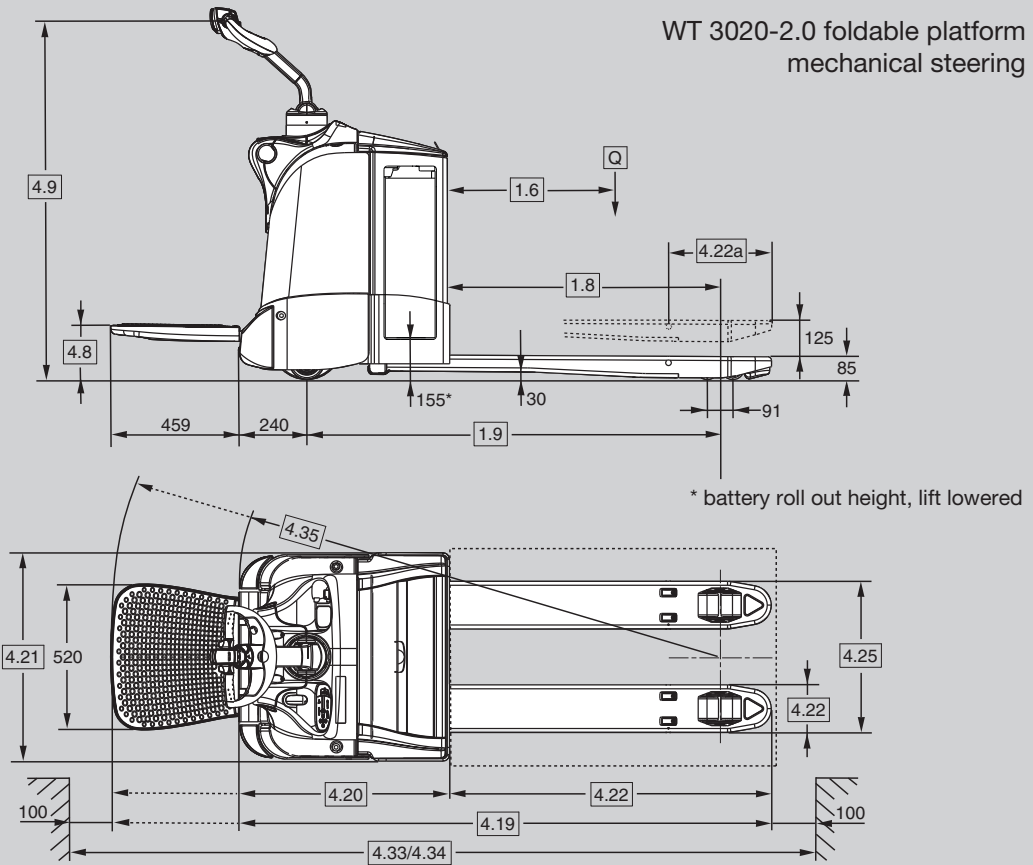
# WT 3000 SERIES

## **Specifications**

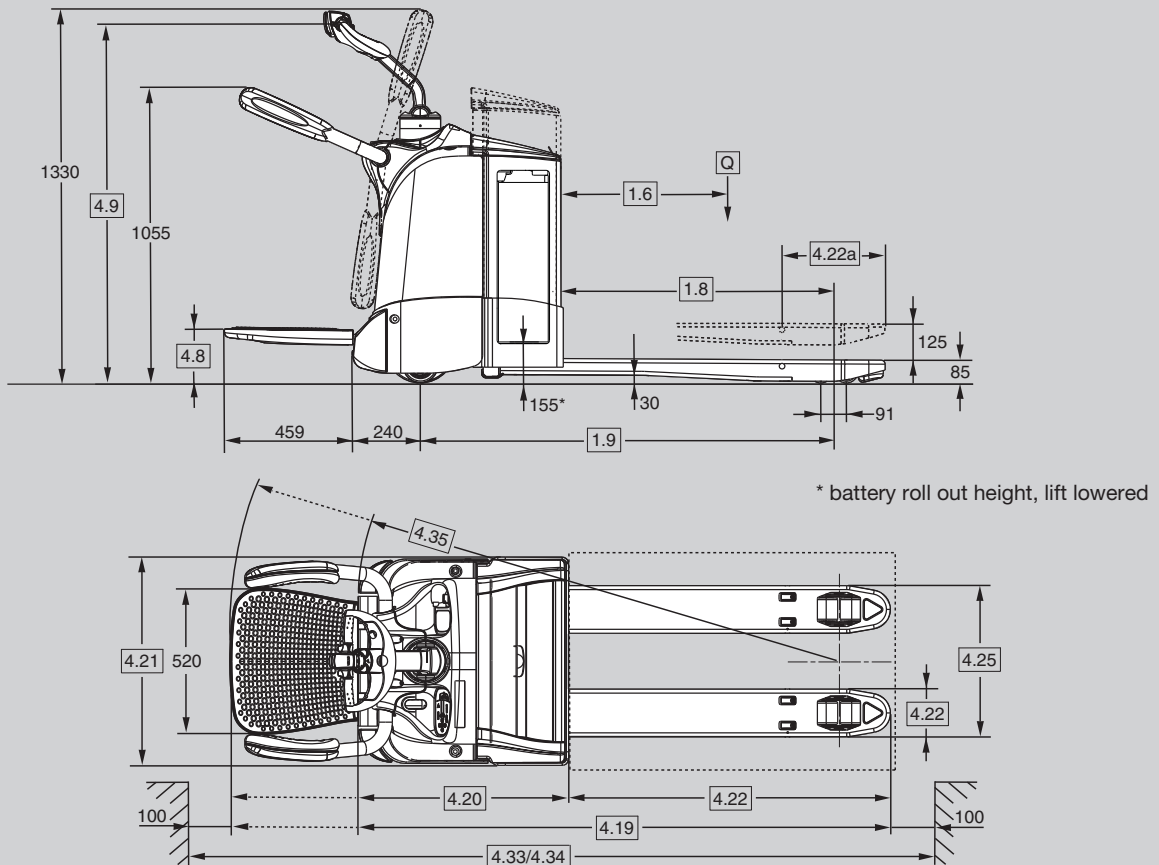
Rider Pallet Truck

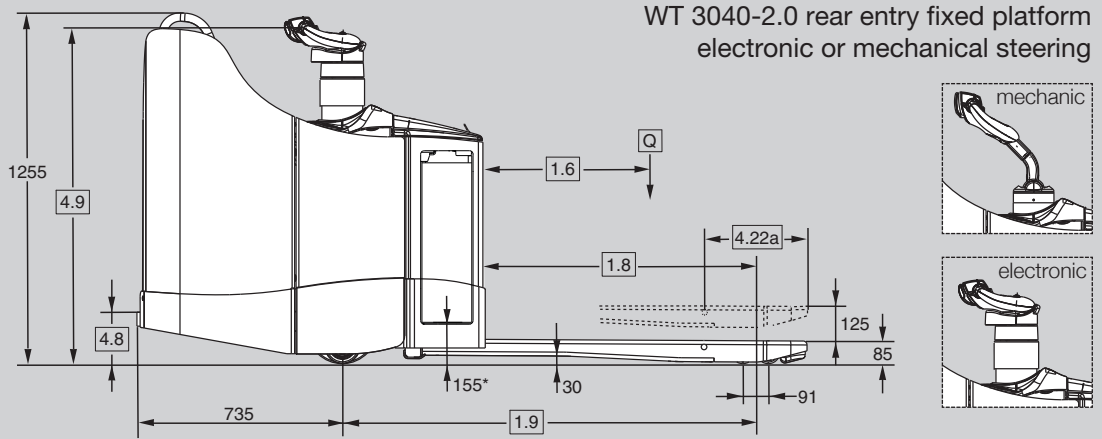


WT 3020-2.0 foldable platform  
mechanical steering

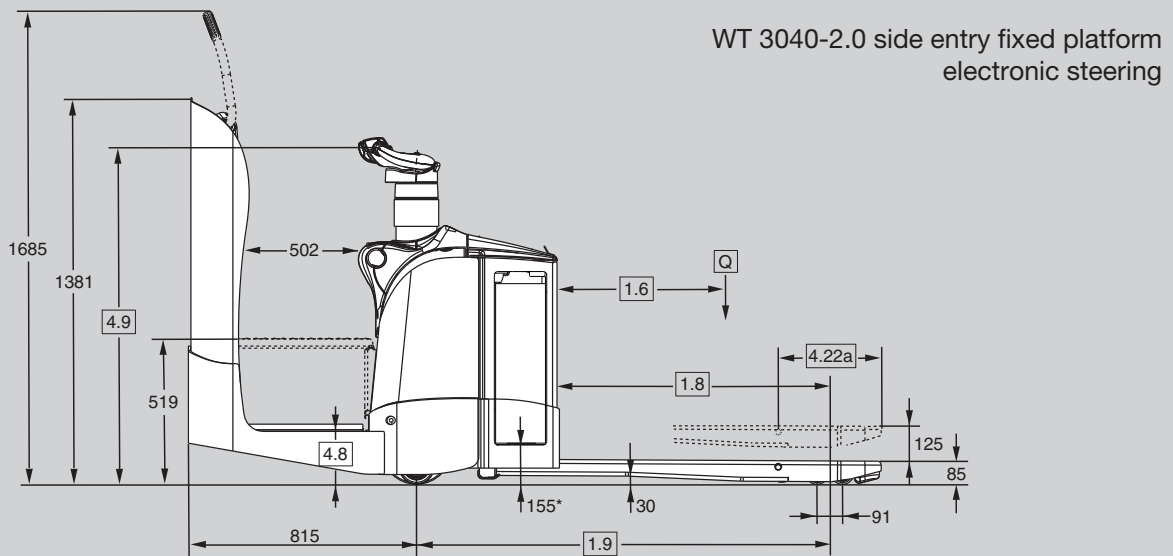
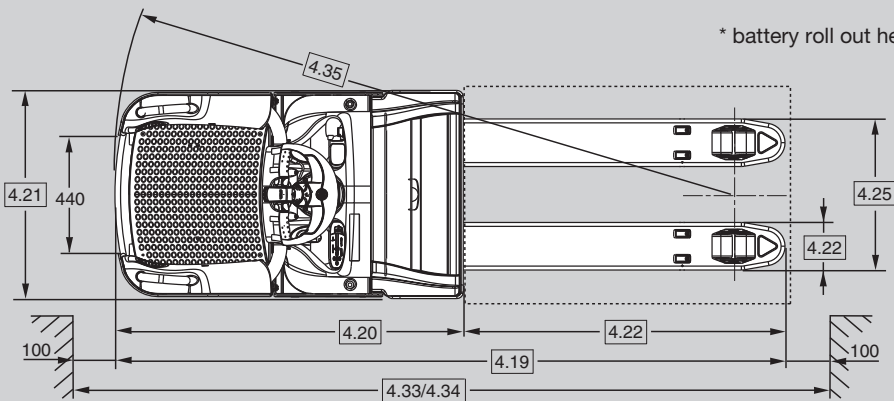


WT 3040-2.0 foldable platform  
electronic or mechanical steering

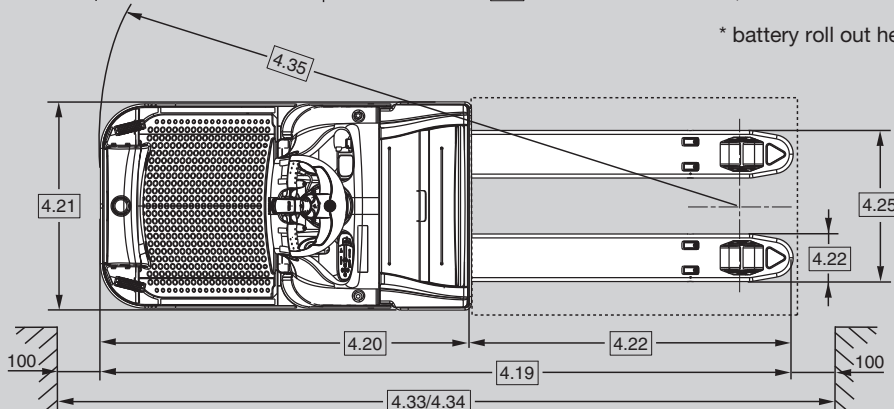




\* battery roll out height, lift lowered



\* battery roll out height, lift lowered



General Information	1.1	<b>Manufacturer</b>	Crown Equipment Corporation								
	1.2	<b>Model</b>				WT 3020-2.0	WT 3040-2.0				
			steering type			mechanical			electric		
			platform type			foldable	foldable	rear entry	foldable	rear entry	side entry
	1.3	<b>Power</b>			electric						
	1.4	<b>Operator Type</b>			stand-on						
	1.5	<b>Load Capacity</b>		Q	t	2.0					
	1.6	<b>Load Centre</b>		c	mm	see table 1	see table 2				
	1.8	<b>Load Distance</b>	raised	x	mm	see table 1	see table 2				
1.9	<b>Wheel Base</b>	raised	y	mm	see table 1	see table 2					
Weights	2.1	<b>Weight</b>			kg	see table 1	see table 2				
	2.2	<b>Axle Load</b>	w. load front/rear		kg	see table 1	see table 2				
	2.3		w.o. load front/rear		kg	see table 1	see table 2				
Tyres	3.1	<b>Tyre Type</b>				Vulkollan					
	3.2	<b>Wheel Size</b>	front		mm	Ø 230 x 70	Ø 230 x 70	Ø 250 x 75			
	3.3		rear		mm	Ø 82 x 110					
	3.4	<b>Additional Wheels</b>	castor wheel*****		mm	Ø 125 x 50					
	3.5	<b>Wheels</b>	no. (x=driven) front/rear			1x + 2/2					
	3.6	<b>Track Width</b>	front	b10	mm	512					
	3.7		rear	b11	mm	350 / 370 / 390 / 500					
Dimensions	4.4	<b>Lift Height</b>		h3	mm	125					
	4.8	<b>Operator Stand Height</b>		h7	mm	186	186	197	186	197	197
	4.9	<b>Tiller Arm Height</b>	in drive position min./max.	h14	mm	1056/1359	1056/1359	1054/1323	1056/1359	1249	1249
	4.15	<b>Fork Height</b>	lowered	h13	mm	85					
	4.19	<b>Overall Length</b>	raised	l1	mm	see table 1	see table 2				
	4.20	<b>Headlength</b>	raised	l2	mm	see table 1	see table 2				
	4.21	<b>Overall Width</b>		b1	mm	740					
	4.22	<b>Fork Dimension</b>		thxwxl	mm	78 x 170 x 1150					
	4.22a	<b>Fork Tip Length</b>			mm	see table 1	see table 2				
	4.25	<b>Width Across Forks</b>		b5	mm	see table 1	see table 2				
	4.32	<b>Ground Clearance</b>	centre wheelbase	m2	mm	30					
	4.33	<b>Working Aisle Width*</b>	1000x1200 traverse, raised	Ast	mm	1891/2316	1967/2392	-	1967/2392	-	-
	4.34	<b>Working Aisle Width**</b>	800x1200 length, raised	Ast	mm	2091/2516	2167/2592	2626	2167/2592	2626	2718
	4.35	<b>Turning Radius</b>	raised	Wa	mm	see table 1	see table 2				
Performance	5.1	<b>Travel Speed</b>	w./w.o. load		km/h	6.0 / 6.0 ♦	7.5 / 10.5		10.0 / 12.5		
	5.2	<b>Lift Speed</b>	w./w.o. load		m/s	0.04 / 0.06					
	5.3	<b>Lowering Speed</b>	w./w.o. load		m/s	0.05 / 0.05					
	5.8	<b>Max. Gradeability</b>	w./w.o. load 5 min. rating		%	10 / 25			9 / 25		
	5.10	<b>Service Brake</b>				electric					
Motors	6.1	<b>Traction Motor</b>	rating at S2 60 min. / H-class		kW	3.0	4.0				
	6.2	<b>Lift Motor***</b>	rating at S3 15 %		kW	1.3 (2.2)	1.3 (2.2)				
	6.3	<b>Battery</b>	acc. to DIN 43535			B					
		<b>Max. Battery Box Size****</b>		lxwxh	mm	212x624x627 (284x624x627)	284 x 624 x 627 (288 x 628 x 784)				
	6.4	<b>Battery Voltage****</b>	nominal capacity K5		V/Ah	24/230-270 (315-375)	24 / 315-375 (420-465)				
	6.5	<b>Battery Weight****</b>	min./max.		kg	201/252 (270/325)	270 / 325 (382 / 439)				
Misc.	8.1	<b>Type of Controller</b>	drive			AC-transistor					
	8.4	<b>Sound Level</b>	acc. to EN 12053		dB(A)	≤ 70					

\* Ast calculation based on standard truck configuration with 1000 mm fork length and 368 mm fork tip length, platform up/down

\*\* Ast calculation based on standard truck configuration with 1150 mm fork length and 368 mm fork tip length, platform up/down or fixed platform

\*\*\* With fork lengths ≥1600 mm use values in brackets

\*\*\*\* With optional larger battery compartment use values in brackets

\*\*\*\*\* WT 3020 castor wheels are fixed type

♦ 7.5 / 8.5 km/h with optional side restraints

## WT 3000 Series

## Specifications

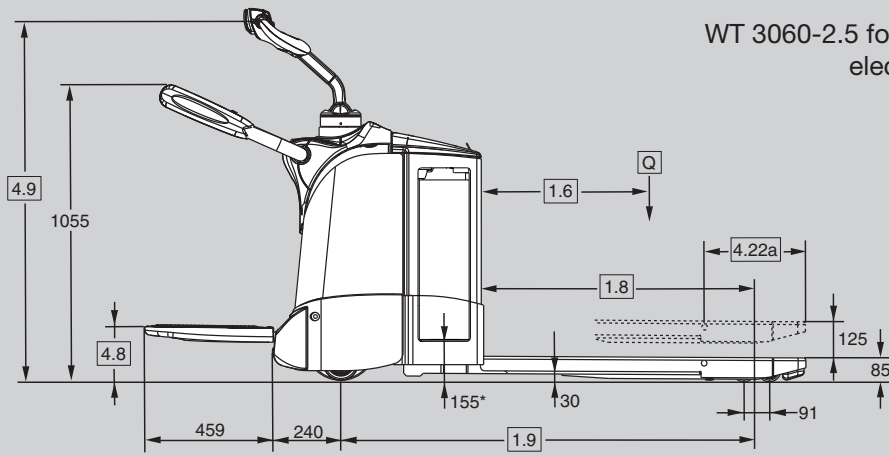
Table 1			WT 3020-2.0				
			foldable platform, 250 Ah comp.				
1.6	<b>Load Centre</b>	c	mm	500	600	600	
1.8	<b>Load Distance <sup>1</sup></b>	x	mm	740	890	940	
1.9	<b>Wheel Base <sup>24</sup></b>	y	mm	1193	1343	1393	
2.1	<b>Weight <sup>5</sup></b>	less battery		kg	551	556	558
2.2	<b>Axle Load <sup>6</sup></b>	w. load	front	kg	1024	1121	1128
			rear	kg	1751	1658	1653
2.3	<b>Axle Load <sup>6</sup></b>	w.o. load	front	kg	623	637	641
			rear	kg	151	142	140
4.19	<b>Overall Length <sup>34</sup></b>	platform up	l1	mm	1693	1843	1893
		platform down	l1	mm	2152	2302	2352
4.20	<b>Head Length <sup>34</sup></b>	platform up	l2	mm	693		
		platform down	l2	mm	1152		
4.22	<b>Fork Dimension</b>	th x w		mm	78 x 170		
		Fork Length		mm	1000	1150	1200
4.22a	<b>Fork Tip Length</b>			mm	368		
4.25	<b>Width Across Forks</b>	b5		mm	520/540/560/670		
4.35	<b>Turning Radius <sup>24</sup></b>	platform up	Wa	mm	1467	1617	1667
		platform down	Wa	mm	1893	2043	2093

Table 2									WT 3020-2.0 / WT 3040-2.0								
									foldable platform, 375 Ah compartment								
500	600	600	700	800	900	1000	1100	1200	500	600	600	700	800	900	1000	1100	1200
740	890	940	1140	1340	1540	1740	1890	2140	740	890	940	1140	1340	1540	1740	1890	2140
1269	1419	1469	1669	1869	2069	2269	2419	2669	1269	1419	1469	1669	1869	2069	2269	2419	2669
576	581	583	589	619	631	643	655	671	576	581	583	589	619	631	643	655	671
1091	1139	1198	1280	1358	1414	1461	1472	1538	1091	1139	1198	1280	1358	1414	1461	1472	1538
1809	1767	1709	1633	1585	1542	1507	1507	1457	1809	1767	1709	1633	1585	1542	1507	1507	1457
715	732	737	754	781	796	809	820	834	715	732	737	754	781	796	809	820	834
186	174	171	159	162	159	158	160	161	186	174	171	159	162	159	158	160	161
1769	1919	1969	2169	2369	2569	2769	2919	3169	1769	1919	1969	2169	2369	2569	2769	2919	3169
2228	2378	2428	2628	2828	3028	3228	3378	3628	2228	2378	2428	2628	2828	3028	3228	3378	3628
									769								
									1228								
									78 x 170								
<b>1000</b>	<b>1150</b>	<b>1200</b>	<b>1400</b>	<b>1600</b>	<b>1800</b>	<b>2000</b>	<b>2150</b>	<b>2400</b>	<b>1000</b>	<b>1150</b>	<b>1200</b>	<b>1400</b>	<b>1600</b>	<b>1800</b>	<b>2000</b>	<b>2150</b>	<b>2400</b>
									368								
									520 / 540 / 560 / 670								
1543	1693	1743	1943	2143	2343	2543	2693	2943	1543	1693	1743	1943	2143	2343	2543	2693	2943
1969	2119	2169	2369	2569	2769	2969	3119	3369	1969	2119	2169	2369	2569	2769	2969	3119	3369

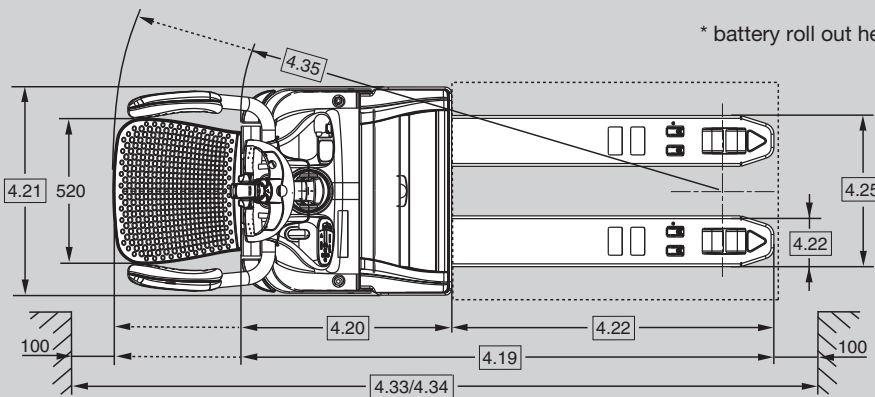
Table 2			WT 3040-2.0																	
			375 Ah compartment										375 Ah compartment							
			rear entry platform							side entry platform										
1.6	<b>Load Centre</b>	c	mm	600	600	700	800	900	1000	1100	1200	600	600	700	800	900	1000	1100	1200	
1.8	<b>Load Distance <sup>1</sup></b>	x	mm	890	940	1140	1340	1540	1740	1890	2140	890	940	1140	1340	1540	1740	1890	2140	
1.9	<b>Wheel Base <sup>24</sup></b>	y	mm	1419	1469	1669	1869	2069	2269	2419	2669	1419	1469	1669	1869	2069	2269	2419	2669	
2.1	<b>Weight</b>	less battery		kg	637	639	645	675	687	699	711	727	873	875	881	911	923	935	947	963
2.2	<b>Axle Load</b>	w. load	front	kg	1215	1274	1353	1430	1484	1529	1540	1605	1468	1526	1603	1679	1731	1776	1786	1850
			rear	kg	1746	1690	1616	1570	1528	1494	1495	1447	1730	1673	1602	1557	1516	1483	1485	1437
2.3	<b>Axle Load</b>	w.o. load	front	kg	808	812	827	853	866	878	888	901	1060	1064	1077	1102	1114	1125	1134	1147
			rear	kg	154	151	142	147	145	145	148	150	137	135	128	134	133	134	137	141
4.19	<b>Overall Length <sup>34</sup></b>	l1	mm	2413	2463	2663	2863	3063	3263	3413	3663	2494	2544	2744	2944	3144	3344	3494	3744	
4.20	<b>Head Length <sup>34</sup></b>	l2	mm	1263							1344									
4.22	<b>Fork Dimension</b>	th x w		mm	78 x 170															
		Fork Length		mm	<b>1150</b>	<b>1200</b>	<b>1400</b>	<b>1600</b>	<b>1800</b>	<b>2000</b>	<b>2150</b>	<b>2400</b>	<b>1150</b>	<b>1200</b>	<b>1400</b>	<b>1600</b>	<b>1800</b>	<b>2000</b>	<b>2150</b>	<b>2400</b>
4.22a	<b>Fork Tip Length</b>			mm	368															
4.25	<b>Width Across Forks</b>	b5		mm	520 / 540 / 560 / 670															
4.35	<b>Turning Radius <sup>24</sup></b>	Wa	mm	2152	2202	2402	2602	2802	3002	3152	3402	2244	2294	2494	2694	2894	3094	3244	3494	

Table 3			WT 3060-2.5																		
			375 Ah compartment										375 Ah compartment								
			foldable platform								rear entry platform										
1.6	<b>Load Centre</b>	c	mm	500	600	600	700	800	1000	1200	1200	600	600	700	800	1000	1200	1200	1200		
1.8	<b>Load Distance <sup>1</sup></b>	x	mm	748	898	948	1148	1348	1748	1815	1778	1564	898	948	1148	1348	1748	1815	1778	1564	
1.9	<b>Wheel Base <sup>24</sup></b>	y	mm	1277	1427	1477	1677	1877	2277	2344	2307	2093	1427	1477	1677	1877	2277	2344	2307	2093	
2.1	<b>Weight</b>	less battery		kg	656	668	671	687	701	730	752	751	745	724	727	743	757	786	808	807	801
2.2	<b>Axle Load</b>	w. load	front	kg	1302	1355	1426	1522	1600	1717	1553	1520	1312	1432	1503	1597	1672	1787	1622	1590	1383
			rear	kg	2179	2138	2069	1989	1925	1837	2024	2055	2257	2116	2049	1971	1909	1824	2011	2042	2242
2.3	<b>Axle Load</b>	w.o. load	front	kg	783	803	808	829	847	877	879	876	857	880	885	904	920	947	948	945	928
			rear	kg	197	190															

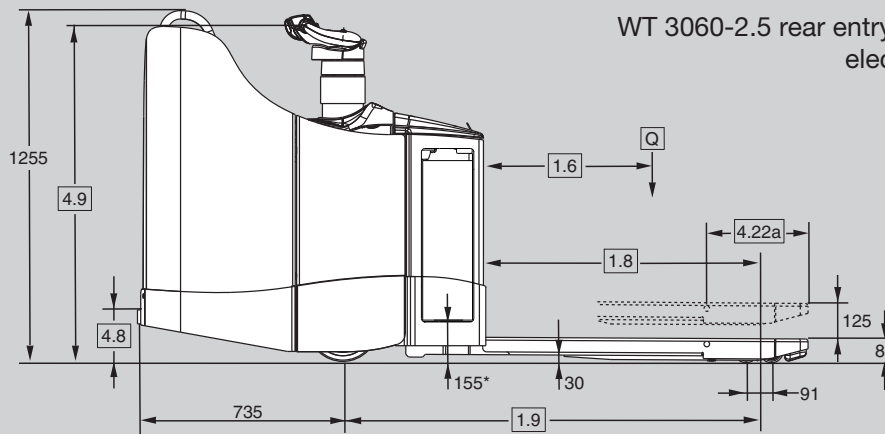
WT 3060-2.5 foldable platform  
electronic steering



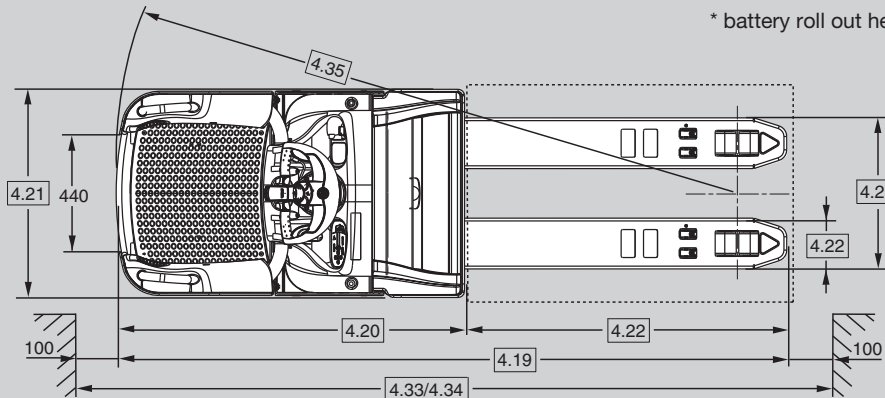
\* battery roll out height, lift lowered



WT 3060-2.5 rear entry fixed platform  
electronic steering



\* battery roll out height, lift lowered



General Information	1.1	<b>Manufacturer</b>	Crown Equipment Corporation					
	1.2	<b>Model</b>			WT 3060-2.5			
			steering type			electric		
			platform type		foldable	rear entry		
	1.3	<b>Power</b>	electric					
	1.4	<b>Operator Type</b>	stand-on					
	1.5	<b>Load Capacity</b>		Q	t	2.5		
	1.6	<b>Load Centre</b>		c	mm	see table 3		
1.8	<b>Load Distance</b>	raised	x	mm	see table 3			
1.9	<b>Wheel Base</b>	raised	y	mm	see table 3			
Weights	2.1	<b>Weight</b>	less battery		kg	see table 3		
	2.2	<b>Axle Load</b>	w. load front/rear		kg	see table 3		
	2.3		w.o. load front/rear		kg	see table 3		
Tyres	3.1	<b>Tyre Type</b>	Vulkollan					
	3.2	<b>Wheel Size</b>	front		mm	Ø 250 x 75		
	3.3		rear		mm	Ø 82 x 110		
	3.4	<b>Additional Wheels</b>	castor wheel		mm	Ø 125 x 50		
	3.5	<b>Wheels</b>	no. (x=driven) front/rear			1x + 2/2		
	3.6	<b>Track Width</b>	front		b10	mm	512	
	3.7		rear		b11	mm	350 / 370 / 500	
Dimensions	4.4	<b>Lift Height</b>		h3	mm	125		
	4.8	<b>Operator Stand Height</b>		h7	mm	186	197	
	4.9	<b>Tiller Arm Height</b>	in drive position min./max.	h14	mm	1056 / 1359	1249	
	4.15	<b>Fork Height</b>	lowered	h13	mm	85		
	4.19	<b>Overall Length</b>	raised	l1	mm	see table 3		
	4.20	<b>Headlength</b>	raised	l2	mm	see table 3		
	4.21	<b>Overall Width</b>		b1	mm	740		
	4.22	<b>Fork Dimension</b>		thxwxl	mm	78 x 180 x 1150		
	4.22a	<b>Fork Tip Length</b>			mm	see table 3		
	4.25	<b>Width Across Forks</b>		b5	mm	see table 3		
	4.32	<b>Ground Clearance</b>	centre wheelbase	m2	mm	30		
	4.33	<b>Working Aisle Width*</b>	1000x1200 traverse, raised	Ast	mm	1967 / 2392	-	
	4.34	<b>Working Aisle Width**</b>	800x1200 length, raised	Ast	mm	2167 / 2592	2626	
4.35	<b>Turning Radius</b>	raised	Wa	mm	see table 3			
Performance	5.1	<b>Travel Speed</b>	w./w.o. load		km/h	9.0 / 12.5		
	5.2	<b>Lift Speed</b>	w./w.o. load		m/s	0.04 / 0.06		
	5.3	<b>Lowering Speed</b>	w./w.o. load		m/s	0.05 / 0.05		
	5.8	<b>Max. Gradeability</b>	w./w.o. load 5 min. rating		%	8 / 25		
	5.10	<b>Service Brake</b>					electric	
Motors	6.1	<b>Traction Motor</b>	rating at S2 60 min. / H-class		kW	4.0		
	6.2	<b>Lift Motor</b>	rating at S3 15 %		kW	2.2		
	6.3	<b>Battery</b>	acc. to DIN 43535				B	
		<b>Max. Battery Box Size***</b>		lxwxh	mm	284 x 624 x 627 (288 x 628 x 784)		
	6.4	<b>Battery Voltage***</b>	nominal capacity K5		V/Ah	24 / 315-375 (420-465)		
6.5	<b>Battery Weight***</b>	min./max.		kg	270/325 (382/439)			
Misc.	8.1	<b>Type of Controller</b>	drive				AC-transistor	
	8.4	<b>Sound Level</b>	acc. to EN 12053			dB(A)	≤ 70	

\* Ast calculation based on standard truck configuration with 1000 mm fork length and 368 mm fork tip length, platform up/down

\*\* Ast calculation based on standard truck configuration with 1150 mm fork length and 360 mm fork tip length, platform up/down or fixed platform

\*\*\* With optional larger battery compartment use values in brackets

**Capacity**

WT 3020 - 2000 kg  
 WT 3040 - 2000 kg  
 WT 3060 - 2500 kg

**Electric System / Batteries**

24-volt electrical system with nominal battery capacities from 240 Ah to 460 Ah. The battery can be removed vertically or horizontally with optional battery compartment rollers.

**Standard Equipment**

1. Maintenance free 3-phase Crown (AC) traction motor
2. e-GEN® Braking System offers regenerative and frictionless electric braking. Mechanical braking applies only as parking brake
3. The X10® Control Handle places all truck functions at the operator's fingertips.
4. Crown Access 1 2 3® Comprehensive System Control
  - LCD display
  - Keyless start up with PIN code
  - Start up and run time diagnostics
  - Battery discharge indicator and lift interrupt
  - 3 selectable traction performance profiles (WT 3040, WT 3060)
  - Hour meters for monitoring various truck operating components
  - Onboard diagnostics with real time troubleshooting capabilities
5. FlexRide™ reduces vibrations and shocks to a minimum by combining (foldable platform)
  - Soft floor mat with integrated presence sensor
  - Advanced platform suspension
  - Fully suspended drive unit
  - Heavy-duty shock absorbing castors (WT 3040, WT 3060)
6. CAN-Bus technology
7. Sealed electrical Deutsch Connectors
8. Heavy-duty side restraints with soft side pads and quick-exit feature (WT 3040/3060)
9. Electric power disconnect switch
10. Vulkollan drive tyre, castor wheels and load wheels
11. Single load wheels
12. Ramp hold
13. Battery connector DIN 160 A
14. Heavy-duty reinforced fork assembly
15. Heavy-duty chassis with 10 mm thick steel skirt
16. Easily removable steel covers
17. Hinged steel top battery cover for easy battery access
18. Intelligent Electronic Steering System (WT 3060)
  - Selectable performance profiles for speed reduction on curves
  - Tactile feedback feature analyses operational conditions and adjusts steering force for optimised control
  - Active Traction system adjusts drive tyre pressure as load weight changes
  - Maintenance free 3-phase (AC) steering motor
19. Rabbit/turtle switch incorporates two levels of programmable travel performance
20. Pallet entry ramp

**Optional Equipment**

1. Intelligent Electronic Steering System (WT 3040)
  - Selectable performance profiles for speed reduction on curves
  - Tactile feedback feature analyses operational conditions and adjusts steering force for optimised control
  - Active Traction system adjusts drive tyre

- pressure as load weight changes
  - Maintenance free 3-phase (AC) steering motor
- 2. Rear entry fixed platform (WT 3040, WT3060)
- 3. Side entry fixed platform (WT 3040)
- 4. Weight-adjustable FlexRide (for rear entry platform)
- 5. Fold-down step with backrest grab bar for extended operator reach (for side entry platform)
- 6. Fork length and spread options
- 7. Battery compartment for 315-375 Ah batteries (WT 3020) and for 420-465 Ah batteries (WT 3040, WT 3060)
- 8. Battery compartment rollers (longer head length)
- 9. Battery connector SBE 160 red, SB 175 red, SB 175 grey
- 10. Rubber or Supertrac drive tyre
- 11. Tandem load wheels
- 12. Heavy-duty fixed castor wheels, single or dual
- 13. Freezer conditioning and corrosion protection
- 14. Infolink® ready
- 15. 12V power supply for electronic tools
- 16. Key switch or key pad
- 17. Load backrest
- 18. Audible travel alarm
- 19. Heavy-duty side restraints with soft side pads and quick-exit feature (WT 3020)
- 20. Work Assist accessory tube
- 21. Work Assist Accessories
  - Load tray
  - Storage pockets
  - Beverage holder
  - Trash bag holder
  - Scan gun holder
  - Small, medium and large clip boards
  - Mounting brackets for WMS terminals
- 22. Special paint
- 23. Welded fork marks
- 24. Lithium-ion Battery Ready

**Electrical**

24 volt electrical system managed by Crown's Access 1 2 3 Comprehensive System Control. Virtually maintenance-free AC traction motor provides strong acceleration and control at any speed. Sensors monitor functional parameters, including steering and speed, and adjusts operational settings automatically to suit conditions.

**Power Unit**

Designed to take the abuse of dock work, the rugged power unit features a reinforced 10 mm thick skirt to protect drive unit and caster components. A 12 mm skirt protects the battery and lift linkage. The contoured skirt provides greater ground clearance for working on ramps. Removable steel covers all around ensure internal components are protected against impacts yet easily accessible for service.

**Operator Area and Controls**

The WT 3000 Series incorporates numerous design features to improve operator comfort and productivity. The folding FlexRide platform reduces shock transfer to the operator by more than 80 percent. Dock boards can be crossed without reducing speed. The lifetime platform suspension never requires adjustment and features solid state induction switches to avoid reliability issues caused by contaminants. Heavy-duty side restraints feature 50 mm heavy-wall steel tubing and rugged C-clamp mounting system. Soft polyurethane side pads are positioned for excellent support and comfort. The quick-exit feature (patent pending) allows the restraints to swing up for faster access to the load.



Fixed platform models feature a patented Entry Bar Safety Switch which alerts operators if their foot is outside the protection of the operator compartment. If the operator steps on the Entry Bar, the truck will roll to a stop in 10 metres or less depending on travel speed, sound an alarm and show "Entry Bar" on the truck display.

Low step height and wide, rounded access make it easy to step on and off the truck. The rear-entry platform incorporates large side cushions for soft support in side-stance position. A contoured lean pad on the side entry platform provides a soft contact surface to lean against.

Patented weight-adjustable FlexRide – optional on the rear entry model – provides the ultimate rider comfort by tuning the suspension for the operator's body weight.

The X10 control handle, designed for simultaneous operation of all functions with one hand, improves side-stance operation for maximum visibility in both driving directions. An ergonomic forward/reverse thumb wheel allows for precise manoeuvring. The hand grips are urethane covered for insulation from cold and vibration with integrated horn buttons for easy activation. A rabbit/turtle switch incorporates two levels of programmable travel performance so operators can select the setting that matches their experience level or application requirements. The low tiller pivot provides best-in-class foot clearance when operating in pedestrian mode (platform folded up).

Available electronic steering improves manoeuvrability and responsiveness, even with heavy loads. An intelligent tactile feedback feature analyses operational conditions and adjusts steering force for greater driver confidence. Combined with Active Traction and speed control on curves, electronic steering safely delivers top driving performance.

### **Access 1 2 3® Comprehensive System Control**

Crown's Access 1 2 3 technology provides optimum performance and control by offering a communications interface for the operator and service engineer, intelligent coordination of lift truck systems and simplified service with advanced diagnostics.

The display includes a full featured on-board service tool so service engineers can actively view inputs and outputs during truck operation. No laptop or service terminal is required. Event code history, including the last 16 events, is accessible through the display.

The display provides a convenient interface for operators, keeping them informed (hour meters, BDI, operator messages, service codes) of any changes impacting truck performance and allowing them to choose from three performance profiles when enabled (3040/3060).

Performance tuning can be accessed at the display to customise truck performance for specific applications or operator requirements. In addition, up to 25 PIN codes can be assigned to individual operators and matched to one of the pre-programmed performance profiles if desired.

### **Power Unit Suspension**

The drive unit suspension utilises hard-plated chrome rods and sealed slide bushings for long life without adjustment. The suspension provides 60 mm of travel with constant drive tyre pressure for excellent performance on ramps. Combined with spring-loaded castors, the system reduced shocks to the chassis, mounted components and the operator. Active Traction, standard on trucks with electronic steering, uses hydraulic pressure to increase traction. Reduced slipping and improved braking are especially helpful on steep or wet ramps.

### **e-GEN® Braking System**

The power of the high-torque AC traction motor is used to stop the truck and keep it static until a travel input is requested, even when operating on a gradient. This system eliminates adjustments and wear points for a lifetime of maintenance free use. An automatic parking brake activates if the truck is stopped and the operator leaves the platform or power is disconnected.

### **Safety Regulations**

Conforms to European safety standards.

Dimensions and performance data given may vary due to manufacturing tolerances. Performance is based on an average size vehicle and is affected by weight, condition of truck, how it is equipped and the conditions of the operating area. Crown products and specifications are subject to change without notice.

